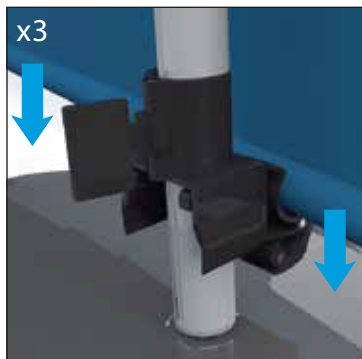
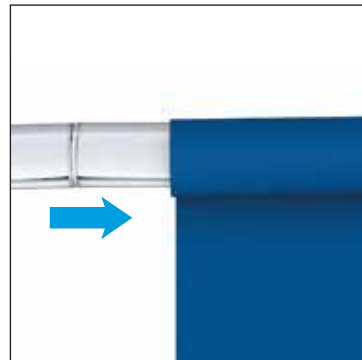
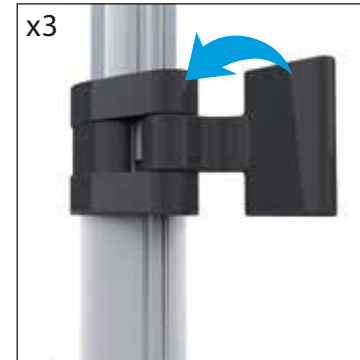
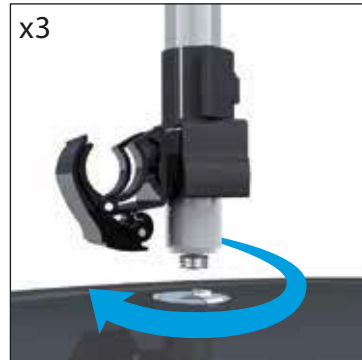


instructions



You can also see Scene UltraLight setup manual on Youtube



Note: When attaching the horizontal profile make sure you insert the profile properly.

